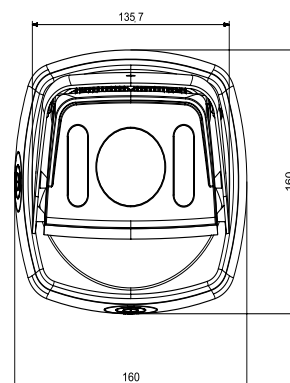
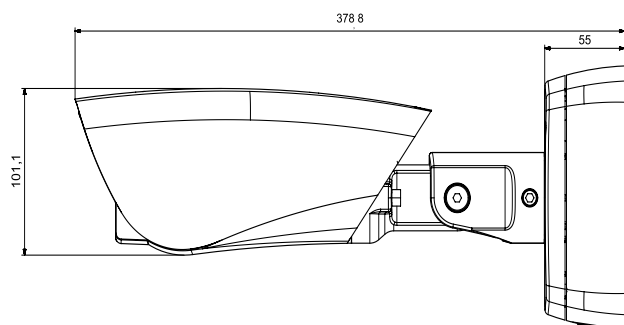




# Kiara Series



KIARA, the new line of Bullet IP cameras designed and developed entirely in Italy by Spark, combines modern, functional design and technical features for multiple applications, all in a robust casing. The cameras in the KIARA series come with 2 and 5 megapixel sensors, with high sensitivity in low lighting conditions and with an extremely high frame rate.



## Cameras features

<b>Camera type</b>	KIARA 2000 SMART	KIARA 5000 SMART
<b>Product code</b>	SR-C-S2-KIARA	SR-C-S5-KIARA
<b>Image sensor</b>	CMOS progressive Scan 1/2,8"	CMOS progressive Scan 1/1,8"
<b>Electronnic shutter</b>	1/30(1/25)s – 1/30000s	
<b>Min. illumination</b>	0.001Lux @ F1.4 (Color) 0.0001Lux @ F1.4 (B/W)	0.05Lux @ F1.5 (Color) 0.0005Lux @ F1.5 (B/W)

## Lens

	KIARA 2000 smart	KIARA 5000 smart
<b>Wide</b>	2,8-12mm F1.4 - optical FOV: 33°-104° VARIANT CODE: -V12	3,6-10mm F1.5 - optical FOV: 38°-85° VARIANT CODE: -V10
	Varifocal, Autofocus, Remote focus and zoom, P-Iris control, IR corrected	
<b>Narrow</b>	7-22mm F1.4 - optical FOV: 14°-43° Varifocal, Autofocus, Remote focus and zoom, P-Iris control, IR corrected VARIANT CODE:-V22	

## Day & Night

<b>Night infrared</b>	IR corrected, IR cut filter removable, IR illuminator adaptive ( up to 50 mt), VARIANT CODE: -IR
<b>Night color</b>	Dual light illuminator (IR +White light) VARIANT CODE: -WL * * in preparation

## Video

	KIARA 2000 smart	KIARA 5000 smart
<b>Video compression</b>	H.265,H.264 high profile (MPEG-4 Part 10/AVC) Motion JPEG	
<b>Resolution</b>	Up to 1920x1080	Up to 2560x1920
<b>Frame rate</b>	Up to 60 fps (WDR off) Up to 30 fps (WDR on)	Up to 30 fps
<b>Bitrate Video</b>	256Kbps - 10Mbps	
<b>WDR</b>	120 dB	100 dB
<b>Streaming protocol</b>	Unicast, RTSP	
<b>Streaming mode</b>	More 'video streams individually configurable frame rate and wide bandwidth controllable	
<b>Image settings</b>	3D Denoise, Brightness, Color, Compression, Defog, Exposure control, Exposure zones, Flip, Manual shutter time, Mirroring of images Rotation: 90, 180, 270, Privacy masks ROI, Sharpness, Text and image overlay, White balance	

## Network

<b>Security</b>	Password protection , HTTPS encryption
<b>Network protocols</b>	ARP, DHCP, DNS, FTP, HTTP, HTTPS, ICMP, IPv4, IPv6, NTP, ONVIF Profile S, RTCP, RTSP, SMTP, TCP, UDP, DYNDNS

## Audio

<b>Audio</b>	Two-way full duplex
<b>Audio compression</b>	G.711 U law, a law, g.726, Amr
<b>Audio connectors</b>	Line input, line output

## System integration

<b>Analytics</b>	Detecting moving objects, audio detection,
<b>Event triggers</b>	Detecting moving objects, audio detection, link loss of network, event planning
<b>Event actions</b>	File upload: ftp, sftp, http, https network share and email Notification: email, http, https and tcp and snmp trap external output activation
<b>Built-in installation</b>	Remote zoom, remote focus, auxiliary wifi connection configuration (device mode)
<b>Mobile App</b>	Android, IOS (in preparation)
<b>Data streaming</b>	Video stream, event data

## Standard Features

<b>Dimension</b>	379x101x136 mm
<b>Weight</b>	2.5 Kg
<b>Housing</b>	Diecast aluminium, Plastic, Polycarbonate
<b>Impact resistant</b>	IK10
<b>Ingress protection</b>	IP66
<b>Anti condensation valve</b>	GORETEX ®
<b>Memory</b>	RAM 512MBytes ,Flash 32Mbytes
<b>Network connector</b>	10/100 RJ45 PoE
<b>I/O</b>	2 optocoupled input (3KV), 1 relè output (24Vdc 2A)
<b>Power</b>	PoE IEEE 802,3af max. 12,9W, PoE IEEE802.3at max. 25W, 12Vdc 25W
<b>Serial connector</b>	RS485 Half duplex
<b>Power connector</b>	Terminal Block
<b>Operating temperature</b>	-40°C, +60°C IR illuminator turn off if temperature is 45° or higher
<b>Storage temperature</b>	-10°C, +70°C
<b>Approvals</b>	EN 55032 (2015-07) EN 55024 (2010-11) +A1 (2013) EN 50130-4 (2011-06) + A1 (2014)
<b>Language</b>	Italian, English   more language packs on request

## UNICA

<b>Edge storage</b>	MicroSD/SDHC up to 128GB
<b>Event actions</b>	Video recording to edge storage
<b>Installation method</b>	SPARK fastlock
<b>System recovery</b>	Embedded EEPROM
<b>Wall mount</b>	UNICA



© 2013 - 2016 SPARK. All rights reserved. Unless expressly permitted in writing, no license is granted in relation to any copyright, industrial design, trademark, patent or other intellectual property rights of SPARK or its licensors. The information contained in this document may change without notice. document may change without notice.

SPARK  
VIA ANTONIO GRAMSCI, 86/A  
42124 REGGIO EMILIA  
P. +39.0522.1715150  
F. +39.0522.1715151

P. IVA/C.F. 02542850355  
R.E.A. di RE n. 291049  
www.spark-security.com  
info@spark-security.com